



# JaHam

## Model JT10

### *Truck Probe Sampling System*

- Core Style Truck Probe Sampling System
- Suitable for medium to large elevator applications
- Supplied complete with all hydraulic, vacuum and electric components required
- Short and long distance vacuum systems available
- Hand held joystick operator controls supplied standard
- Complete line of accessory items available for all of our Truck Probe Sampling Systems

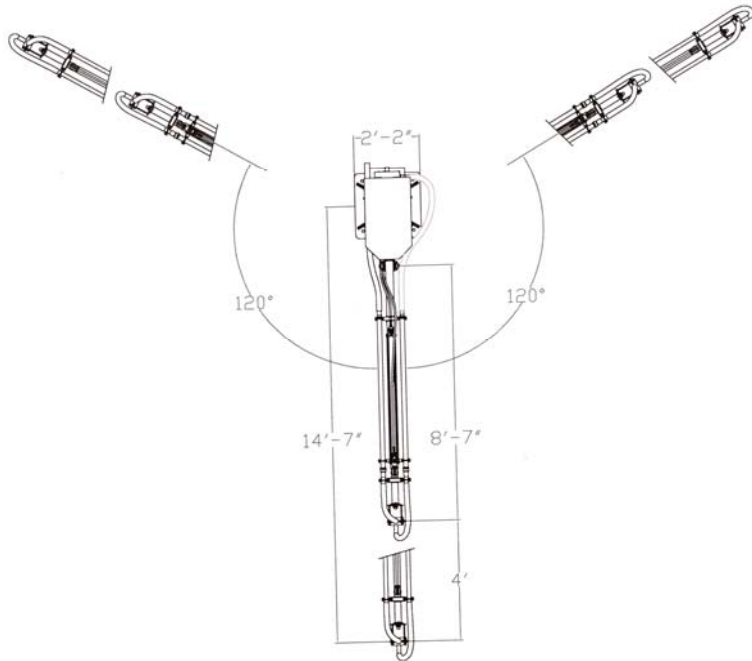


The model JT10 is the medium duty JaHam truck probe offering. It is ideal for use with all whole grains in low volume and seasonal applications. Ruggedly built it will provide your operators with years of use at an affordable price. The core style sampling head is the fastest and most accurate method for probing trucks. It's proven track record provides you the sampling confidence required in your daily operations. Like all JaHam systems it is provided with the hydraulic and vacuum systems pre-mounted, pre-plumbed and pre-wired for easy installation and use.

GAMET MANUFACTURING, INC.

698 Prior Ave. North • St. Paul, MN USA 55104 Phone: (651) 647-5410 • Fax: (651) 647-5412

# JaHam JT10



## System Specifications

**Base: 26" x 26"**

**Height: 13' 8"**

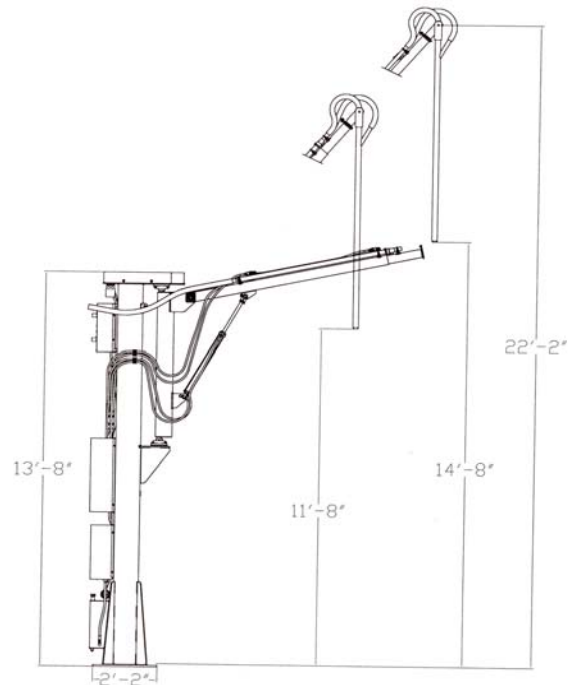
**Rotation / Reach: 240° / 10' 6"**

**Core Probe Length: 7' \***

**Hydraulic Pump: 2 HP, 4 GPM, 1,500 PSI**

**System Voltage: 1/60/220 \***

**\* Other options available**



## Vacuum System Options

**Standard Vacuum System:** Supplied with separate vacuum and clean air supply motors. Suitable for conveying product up to 120'.

**Dual Vacuum System:** Supplied with separate vacuum (2) and clean air supply motors. Suitable for conveying product up to 250'.

**Positive Displacement Pump System:** Supplied with a separate vacuum pump and clean air supply motor. Suitable for conveying product in excess of 250'.

## Available Accessories

**Video Monitoring Equipment (CCTV)**  
**Audio Intercom System**  
**Traffic Control Lights**  
**Signal Alarm**  
**Gravity Divider**

**Excess Sample Return Systems**  
**One Way Scale Ticket Conveying System**  
**Bi-Directional Scale Ticket Return System**  
**Tubing Support System**  
**Cyclone Style Collection System**



**GAMET MANUFACTURING, INC.**

698 Prior Ave. North • St. Paul, MN USA 55104 Phone: (651) 647-5410 • Fax: (651) 647-5412